

Heavy Duty LED Linear Suspended

Albeo's LED linear fixture provides an energy efficient, no maintenance alternative to traditional fluorescent strip lights. Ideal for office, commercial, industrial, and retail applications. Albeo's patent-pending TEMPR™ Technology allows the LEDs to run cooler than fluorescent and last 5 to 10 times longer with no hazardous waste. One strip provides light comparable to either a one or two lamp fluorescent channel light.

Robust and Innovative Construction

Albeo's TEMPR™ thermal management technology transfers heat from the LED into the rugged aluminum housing, reducing junction temperature for more light and longer life.

Optical Advantage

Brightest and highest efficacy LEDs come in a wide range of colors for almost any application. Directional LEDs put more light where it's needed, greatly increasing efficiency.

Superior Performance

No flicker. No buzzing. Low power consumption. Low temperature.

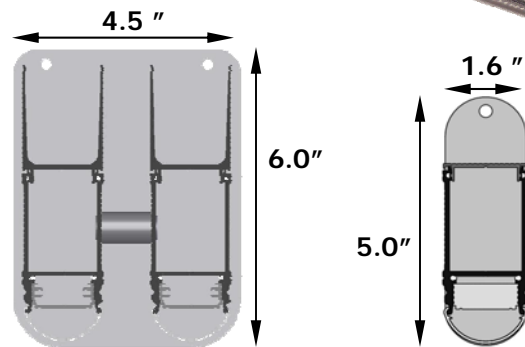
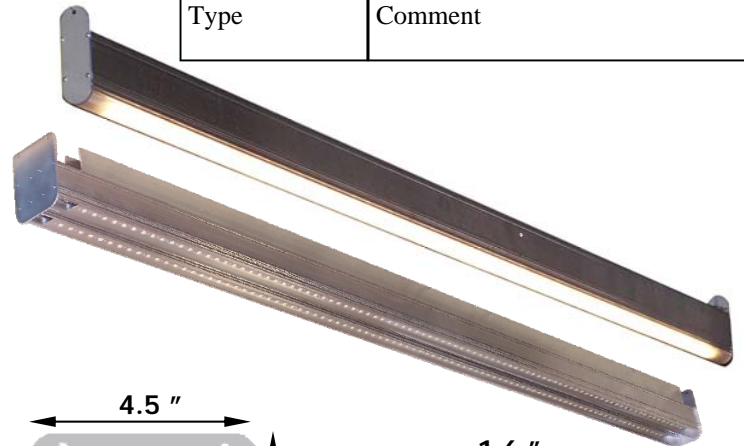
Electrical System

110 or 277 VAC input. Transformer included. Dimming capabilities.

Part Number

Type

Comment



Options

High value, efficacy, or brightness options provide solutions for a wide range of applications.

Easy Mounting

Standard chain, cable, or rod suspended. Designed to be mounted individually or in continuous run.

Warranty

The Linear fixture is guaranteed for five years, subject to Albeo's standard terms and conditions.

Ordering Information

Product Platform	Model	# of LED bars	Length	LED CCT	LED Pitch	Input Voltage	Optics	Mounting	Options
LS	V	1	8	5	1	1	0	C	0
LS Linear Suspended White-LED Strip Light	V High Value B High Brightness E High Efficacy	1 1 bar 2 2 bars	4 4 ft 8 8 ft	4 5000°K 5 4200°K 6 3500°K	0 1 inch 1 1.5 inch 3 3 inch	1 110 V 2 277 V	0 Lens 1 No Lens D Diffuser	C Chain	0 None

For shortest lead times, order standard options in bold.
For more options or custom configurations, please contact sales.

rev. 12.19.08

Heavy Duty LED Linear Suspended

Optical and Electrical Specifications (1-bar 8ft)

All options not listed. Please contact sales for technical specs of other part numbers.

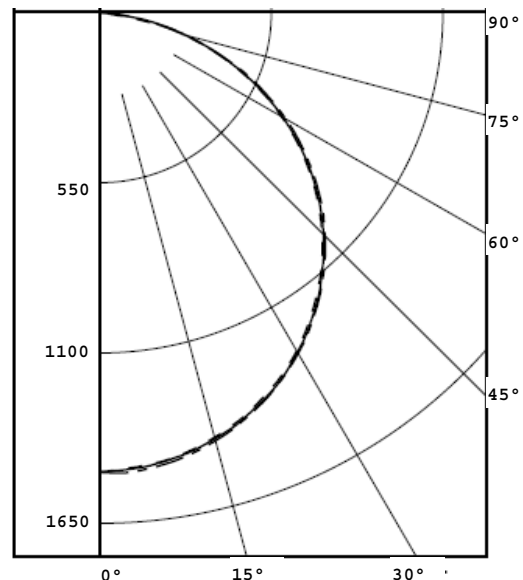
Type	Part Number	Color	Temp	# of LEDs	Lens	Diffuser	Effective Lumens*	Watts
Value	LS-V184-111C0-R1	Daylight	5000 K	60	✗	✗	8650	80
	LS-V184-110C0-R1	Daylight	5000 K	60	✓	✗	7950	80
	LS-V185-111C0-R1	Cool	4200 K	60	✗	✗	8100	80
	LS-V185-110C0-R1	Cool	4200 K	60	✓	✗	7450	80
	LS-V186-111C0-R1	Warm	3500 K	60	✗	✗	7550	80
	LS-V186-110C0-R1	Warm	3500 K	60	✓	✗	6950	80
Bright	LS-B184-011C0-R3	Daylight	5000 K	90	✗	✗	12,950	120
	LS-B184-010C0-R3	Daylight	5000 K	90	✓	✗	11,950	120
	LS-B185-011C0-R3	Cool	4200 K	90	✗	✗	12,150	120
	LS-B185-010C0-R3	Cool	4200 K	90	✓	✗	11,175	120
	LS-B186-011C0-R3	Warm	3500 K	90	✗	✗	11,350	120
	LS-B186-010C0-R3	Warm	3500 K	90	✓	✗	10,450	120
Efficacy	LS-E184-011C0-R1	Daylight	5000 K	90	✗	✗	7800	62
	LS-E184-010C0-R1	Daylight	5000 K	90	✓	✗	7175	62
	LS-E185-011C0-R1	Cool	4200 K	90	✗	✗	7300	62
	LS-E185-010C0-R1	Cool	4200 K	90	✓	✗	6725	62
	LS-E186-011C0-R1	Warm	3500 K	90	✗	✗	6800	62
	LS-E186-010C0-R1	Warm	3500 K	90	✓	✗	6275	62

* Compared to a fluorescent channel fixture; see Albeo Academy performance comparison.

Photometry

Vertical Angle	Candela Distribution			Zonal Lumens
	Horizontal Angle			
	0	45	90	
0	1498	1498	1498	
5	1485	1490	1498	142
15	1434	1439	1445	406
25	1339	1345	1348	619
35	1197	1203	1208	753
45	1017	1023	1030	790
55	799	806	815	721
65	551	555	566	551
75	286	286	286	304
85	2	4	29	33
90	0	0	0	4320

Photometry results based on LS-V184-111C0-R1 fixture.



The Albeo LED Suspended Strip fixture must be installed by a qualified electrician. It is the responsibility of the contractor, installer, purchaser, owner, and user to install, maintain, and operate the fixture in such a manner as to comply with all state and local laws, ordinances, regulations, and the American National Standards Institute Safety Code.

US Patents Pending

Specification subject to change without notice. See website for latest version.

