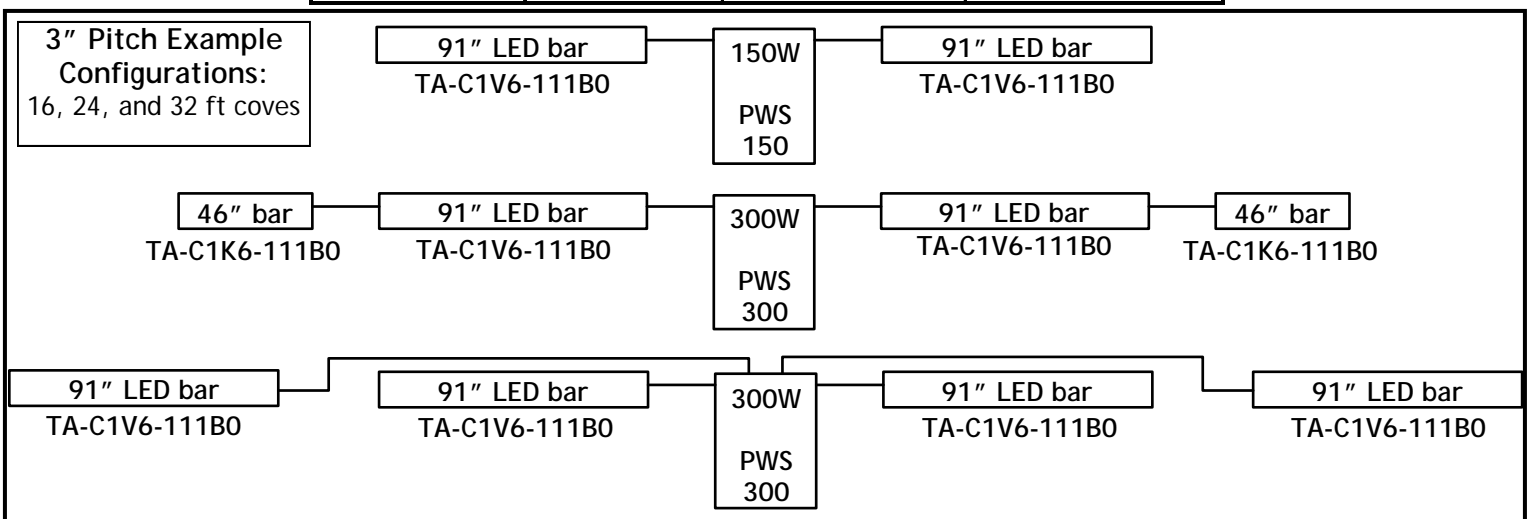


## LED Cove Configuration Guide

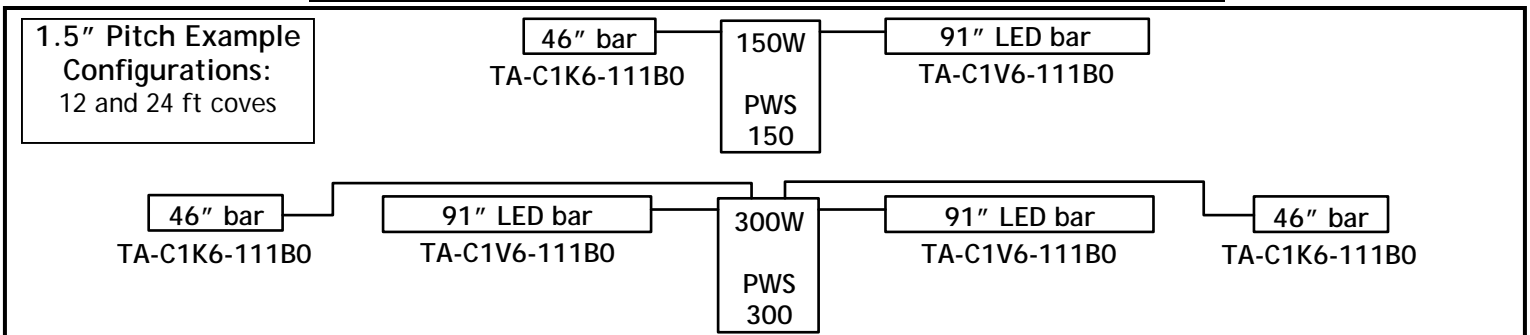
**This guide provides transformer sizing and wiring recommendations for Albeo 12V cove lighting applications. Follow all national and local codes during installation.**

1. Determine total length of each section of LED light bars.  
Allow 2" between bars for jumper cables. Bars come in 4.5" increments to accommodate any length cove. Length codes are contained within the part number. Refer to spec sheet for details.
2. Determine transformer size from charts below based on LED pitch.

Albeo 3" pitch LED cove lights with AC transformer (8.5VA / ft)			
Total length of cove lights	Size of transformer	Max length, each leg of lights	Max length each leg incl. lead wire
up to 17 feet	150W	13 feet	30 feet
18 to 35 feet	300W	13 feet	30 feet



Albeo 1.5" pitch LED cove lights with AC transformer (12VA / ft)			
Total length of cove lights	Size of transformer	Max length, each leg of lights	Max length each leg incl. lead wire
up to 12 feet	150W	9.5 feet	30 feet
13 to 25 feet	300W	9.5 feet	30 feet

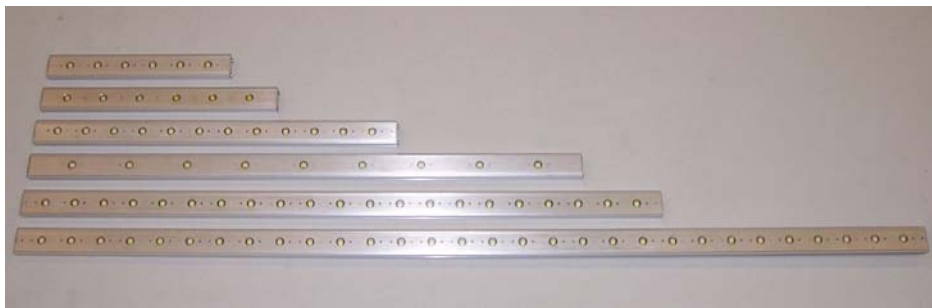


**IF DIMMING, LOW VOLTAGE MAGNETIC TRANSFORMERS MUST BE MATCHED WITH LOW VOLTAGE MAGNETIC DIMMERS AND BOTH MUST BE SIZED TO HANDLE THE LOAD OF ALL LIGHTS ATTACHED**

rev. 8.22.08



## LED Cove Configuration Guide



LED Cove Light Bars



Magnetic Transformers



Lead Wire



Daisy-Chain Jumper



2-pin Connector

### Reducing socket shadow:

To minimize light gaps between each LED light bar, offset the bars at the ends. When determining length of light bars to fill cove space, subtract either 1.5" or 3" from each bar, depending on the LED pitch. Use 6" jumper cables instead of the 2" daisy chain standard.



Staggered



Skewed



Overlapped (3" pitch only)