

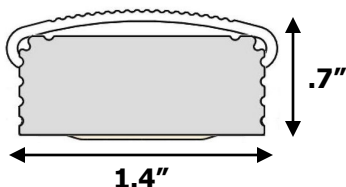
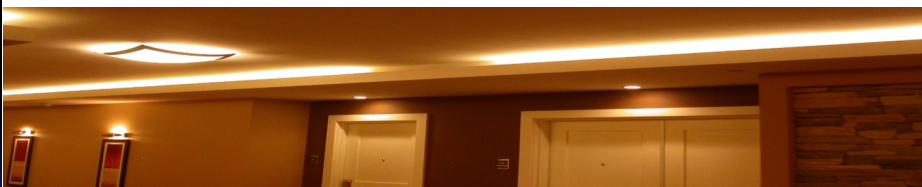
## LED Cove Lighting



Part Number	
Type	Comment / Count



TEMPR™ thermal management technology transfers heat from the LED into the aluminum housing to reduce junction temperature for maximum performance and lifetime.



- **Low Profile:** Fits almost anywhere
- **Easy to Install:**
  - Strips up to 7.5 ft
  - Daisy Chain up to 13 ft
- **Low Voltage AC:** Uses standard transformers
- **Very Bright:** up to >350 lumens/ft
- **Dimmable:** Standard low voltage dimmers
- **Easy Mounting:** Multi-angle or Adjustable Tilting bracket
- **Low Temperature Operation**
- **No Mercury, No Flicker, No Buzzing**
- **Suitable for Damp Locations**

### Attributes

#### Construction

- Extruded aluminum
- Polycarbonate lens

#### Power

- 12V AC input power
- 3" pitch: 4.8W per foot
- 1.5" pitch: 7W per foot

#### Electrical Interface

- 2-pin locking connector
- Standard power supplies and cables

#### Mounting

- Multi-Angle bracket
  - Included standard
- Adjustable Tilting Bracket
  - Optional; please specify

#### LED Types

- High Efficacy: up to 50 lm/W
- CCT's: 2700°K, 3500°K, 4000°K, 5000°K
- Standard Distribution Beam Angle: 120°
- Full Spectrum

#### Operating Life

- 50,000 to 75,000 hrs to 70% of full brightness

### Ordering Information (Power Supplies priced separately. See page 2 for options. Contact Albeo sales for more info.)

Product Platform	Length	LED CCT	Optics	LED Pitch	Electrical Input	Electrical Output	Color	Input Power
TA	—	—	—	—	A	—	0	A
TA Atmosphere LED Cove Lighting	2 3 4 5 6 7 8 9 A B C D E F H J K L SEE CODE BELOW FOR LENGTHS	4 5000°K 5 4000°K 6 3500°K 8 2700°K	1 No Lens 0 Lens D Diffuser	0 1.5 inch 2 3 inch	A 2-pin Dimming	A 2-pin Dimming 2 None	0 Aluminum	A 12VAC

Length Code	2	3	4	5	6	7	8	9	A	B	C	D	E	F	G	H	J	K	L
Length (inches)	10	14.5	19	23.5	28	32.5	37	41.5	46	50.5	55	59.5	64	68.5	73	77.5	82	86.5	91

Made in America



LM-79  
Tested

rev. 8.9.10

## LED Cove Lighting

Part Number	
Type	Comment / Count

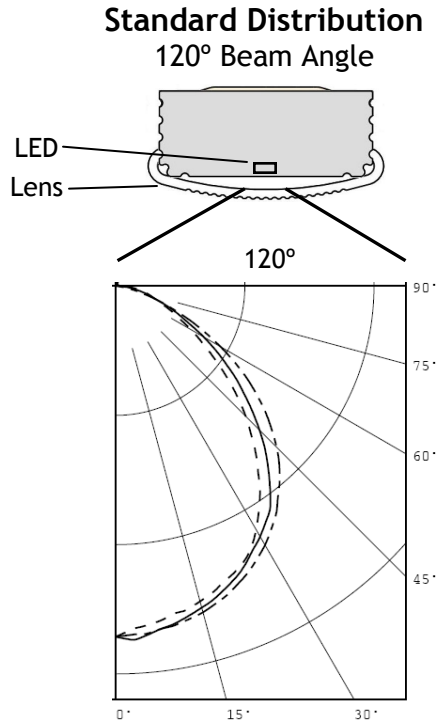
### Optical and Electrical Specifications:

1.5" Pitch, 3500°K CCT. Contact Albeo sales for additional Optical and Electrical information.

Part Number	Length Code	Length	# of LEDs	Lumens	Amps	AC Watts
TA-2600-AA0A	2	10"	6	261	.42	5.7
TA-3600-AA0A	3	14.5"	9	391	.63	8.3
TA-4600-AA0A	4	19"	12	521	.84	11.0
TA-5600-AA0A	5	23.5"	15	652	1.05	13.6
TA-6600-AA0A	6	28"	18	782	1.26	16.2
TA-7600-AA0A	7	32.5"	21	912	1.47	18.9
TA-8600-AA0A	8	37"	24	1043	1.68	21.5
TA-9600-AA0A	9	41.5"	27	1173	1.89	24.1
TA-A600-AA0A	A	46"	30	1304	2.10	26.8
TA-B600-AA0A	B	50.5"	33	1434	2.31	29.4
TA-C600-AA0A	C	55"	36	1564	2.52	32.0
TA-D600-AA0A	D	59.5"	39	1695	2.73	34.7
TA-E600-AA0A	E	64"	42	1825	2.94	37.3
TA-F600-AA0A	F	68.5"	45	1955	3.15	39.9
TA-G600-AA0A	G	73"	48	2086	3.36	42.6
TA-H600-AA0A	H	77.5"	51	2216	3.57	45.2
TA-J600-AA0A	J	82"	54	2346	3.78	47.8
TA-K600-AA0A	K	86.5"	57	2477	3.99	50.5
TA-L600-AA0A	L	91"	60	2607	4.20	53.1

Lumen output is: -10% for CCT 2700K; +10% for CCT 4000K; and +20% for 5000K. 3" pitch wattage is 60% of 1.5" wattage.

### Photometry



### Power Supplies and Cables

#### AC Transformers

- 75W Electronic Transformer (120V only)
- 300W Electronic Transformer (120V only)
- 150W Magnetic Transformer
- 300W Magnetic Transformer

#### DC Power Supplies

- 1.2 Amp Wall Plug
- 2 Amp Wall Plug
- 5 Amp Table Plug
- 8.3 Amp Table Plug

#### DC In-Line Power Supplies

- 5 Amp (Remote)
- 8 Amp (Remote)

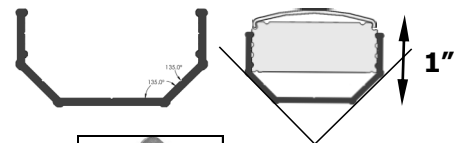
#### Cables (Custom lengths available)

- 3, 6, 10 and 20 ft. Power Cable
- 2, 3, 6, 12, and 24 in. Jumper Cable

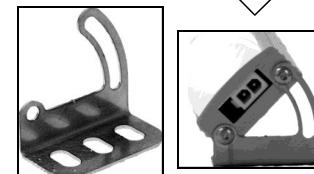
See Cove Configuration Guide for transformer sizing and wiring recommendations.

### Mounting Options

Multi-Angle Bracket  
(included standard)



Adjustable Tilting Bracket  
for lengths less than 46"  
(Length code "A")



Made in America



LM-79  
Tested

rev. 8.9.10