



FL-1 FL-1 LED Floodlight

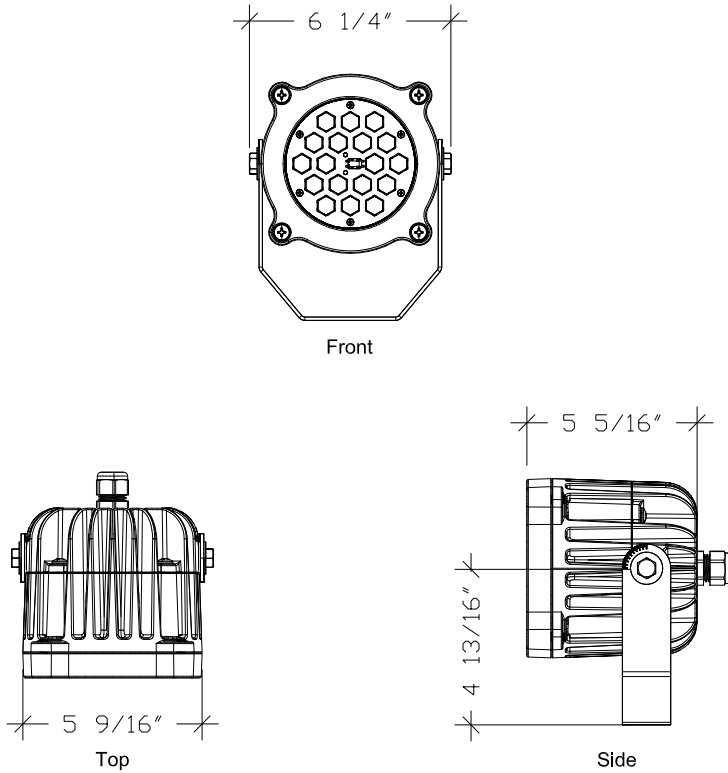
Weight: 10.0 lbs | EPA: 0.40 ft²

Project Information

Name / Location: _____ / _____
 Type / Quantity: _____ / _____
 Sold to: _____
 PO#: _____

Approvals

Luminaire Details



Specifications

Construction:

Die cast aluminum housing. All extruded aluminum components shall be alloy 6061-T6, 6063-T5 or equal.

The heavy aluminum flood housing shall be designed to accommodate all electrical and optical components. Access to the optical components shall be made by removing (4) stainless steel fasteners located on the front of the luminaire. Access to the electrical assembly shall be made by removing (4) stainless steel fasteners located on the back of the luminaire housing.

The lens frame shall accommodate a clear or prismatic tempered glass lens which shall be mechanically sealed with a molded gasket for weather tight operation in any fixed position.

Installation:

Luminaire is designed to mount to both horizontal and vertical surfaces though a number of mounting accessories. Full 360° aiming may be made in the field, position shall be set by tightening two hex-head bolts on either side of the luminaire housing.

Electrical Assembly (LED):

The electrical assembly shall be comprised of an electronic LED driver designed to operate the integral 9W, 17W or 24W LED light emitting diode light engine (LED source). The driver shall be integrally mounted with nonferrous brackets and fasteners. The driver shall have a high temperature, flame-resistant plastic enclosure, 90°C maximum surface temp rating, and thermally protected transient over-voltage circuit. The input voltage range shall be 100-277 VAC, 47 to 63 Hz with a 90% power factor at full load. Load regulation shall be +/- 3%. The driver shall have output over voltage and over current protection and output short circuit protection with Auto Recovery. Operating temperature shall be -30°C to +60°C. The driver shall operate at full load for 100,000 hours (mean time to failure) and the LED source shall be rated for 50,000 hours (70% lumen maintenance). The LED source shall be mounted to a thermally conductive medium (heat sink) and located within the sealed optical chamber.

The luminaires shall be UL listed and suitable for wet locations. The optical chamber shall be designed to meet IP66 standards.

Fasteners:

All fasteners shall be stainless steel. When tamper resistant fasteners are required, spanner HD (snake eye) style shall be provided (special tool required, available at additional cost).

Finish:

Finish shall be Beacote III polyester powdercoat electrostatically applied and thermocured. Luminaires shall be subjected to iron phosphate chemical pre-treatment prior to painting by immersion process.

Notes:

*Wattages are based on total fixture load.

Ordering Example:

FL-1 / 24W / NF / YK / VS / BB

FL-1 / / / / /

Source <input type="checkbox"/> 9W 6-LED @ 350mA <input type="checkbox"/> 17W 6-LED @ 700mA <input type="checkbox"/> 24W 12-LED @ 520mA <input type="checkbox"/> OTHER _____		Mounting <input type="checkbox"/> YK yoke mount <input type="checkbox"/> AJ architectural junction box <input type="checkbox"/> BX brass in-grade j-box <input type="checkbox"/> WA wall / ceiling adaptor <input type="checkbox"/> GS ground stake ² <input type="checkbox"/> PA cast post-top adapter ³ <input type="checkbox"/> TS tree strap <input type="checkbox"/> 12NA 1/2" NPT adapter <input type="checkbox"/> 34NA 3/4" NPT adapter <input type="checkbox"/> PK Post-Top Knuckle <input type="checkbox"/> TK Threaded Knuckle <input type="checkbox"/> OTHER _____		Finish <input type="checkbox"/> BB black <input type="checkbox"/> BZ bronze <input type="checkbox"/> BG green <input type="checkbox"/> BW white <input type="checkbox"/> BY gray <input type="checkbox"/> RAL RAL-_____ <input type="checkbox"/> OTHER _____ <small>Consult factory for premium and verde finishes. Custom colors available.</small>	
Optics <input type="checkbox"/> NF narrow flood <input type="checkbox"/> MF medium flood <input type="checkbox"/> HF horizontal flood <input type="checkbox"/> OTHER _____		Accessories <input type="checkbox"/> VS visor <input type="checkbox"/> OTHER _____			

1: 7/8" mounting hole
 2: w/line voltage wiring compartment
 3: adapter is for 2 3/8" - 3 1/2" tenon





FL-1 LED Floodlight - Accessories

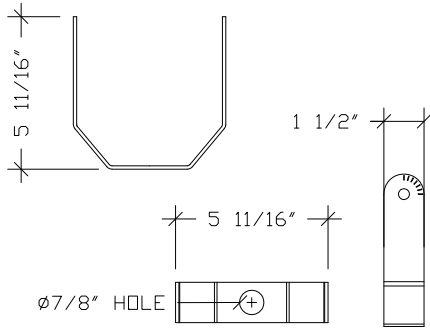
Weight: 10.0 lbs | EPA: 0.40 ft²

Project Information

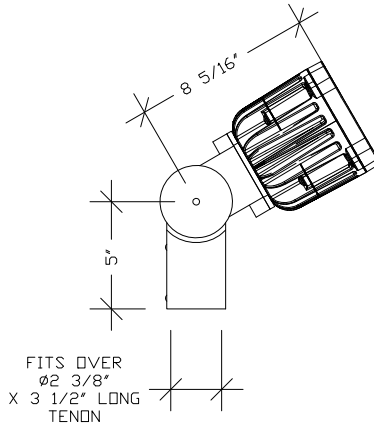
Name / Location: _____ / _____
 Type / Quantity: _____ / _____
 Sold to: _____
 PO#: _____

Approvals

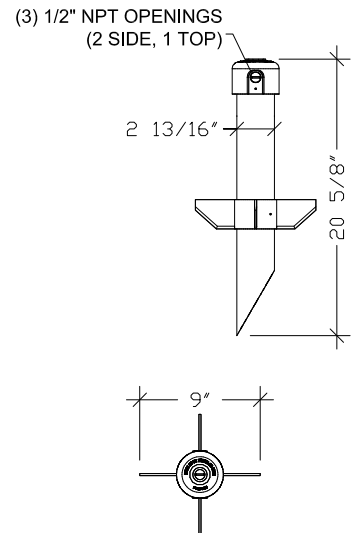
Yoke Mount (standard)



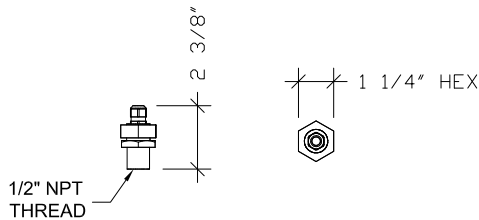
Post-Top Knuckle



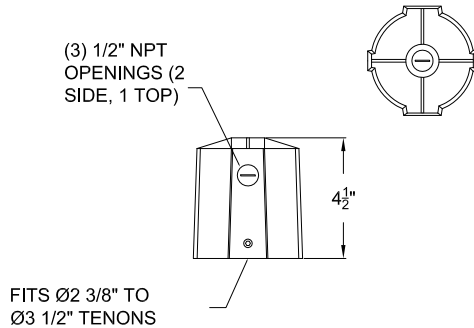
Ground Stake



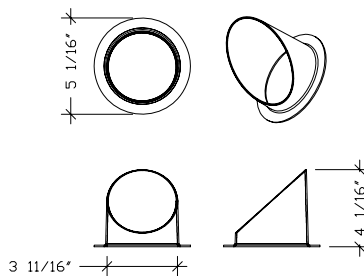
NPT Adapter



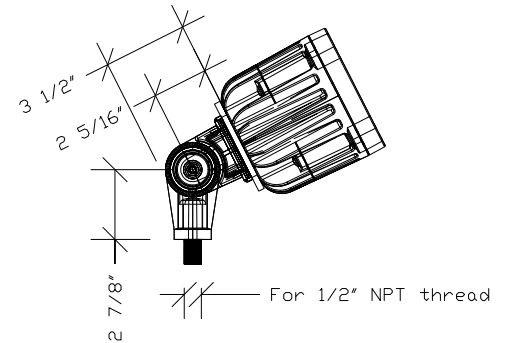
Cast Post-top Adapter



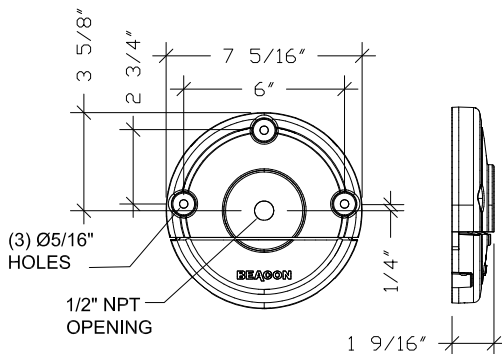
Visor



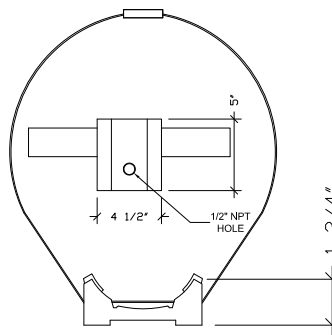
Threaded Knuckle



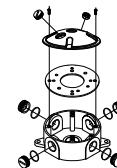
Architectural Wall & Ceiling Adaptor



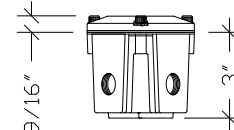
Tree Strap



Architectural Junction Box



Brass (in-grade) Junction Box





FL-1 LED Floodlight - Accessories

FL-1

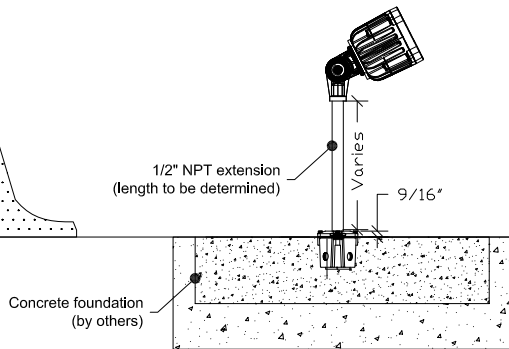
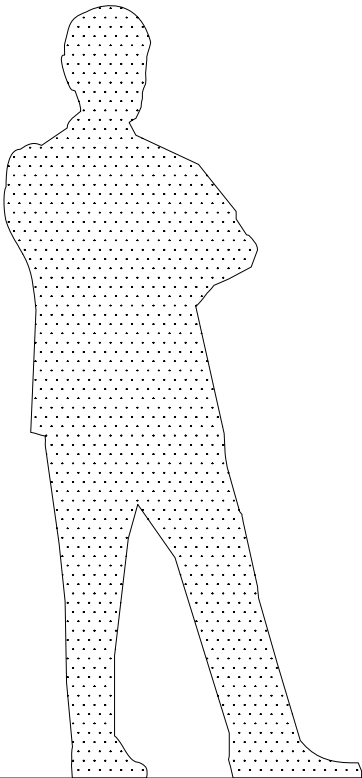
Weight: 10.0 lbs | EPA: 0.40 ft²

Project Information

Name / Location: _____ / _____
 Type / Quantity: _____ / _____
 Sold to: _____
 PO#: _____

Approvals

Alternate Brass (Ingrade) Junction Box & Threaded Knuckle Mounting Arrangement



Accessory Specifications

Yoke Mount:

Standard on FL-1. Constructed of 6061 T6 aluminum. Allows for full rotation on both axes, includes angle marks for uniform adjustments.

NPT Adapter:

Anodized aluminum body, stainless steel nut and nickel plated brass liquid-tight cord grip. Allows for full rotation. Yoke mount included.

Post-top Adapter:

Die cast aluminum construction. Adapts floodlight to 2-3/8" - 3-1/2" tenon (pole top, pipe in ground, etc.). Yoke mount and NPT adapter included.

Architectural Wall / Ceiling Mount:

Cast aluminum construction. Mounted using three (3) 1/4" bolts (not supplied). Designed to fit over standard 4" x 4" junction box. Bottom cover is removable for wire access allowing easy maintenance and one-man installation. Yoke mount and NPT adapter included.

Ground Stake:

Durable polymer construction, black finish. Includes removable wiring compartment and four (4) anti-rotation fins. Yoke mount and NPT adapter included.

Visor:

Heavy Spun aluminum, painted to match FL-1 housing. Mounted under cast lens frame.

Tree Strap:

Extruded aluminum mounting plate w/ 1/2" NPT hub, heavy-duty strap, weather-proof buckle. Strap and buckle are black finish. Yoke mount and NPT adapter included.

Architectural (surface mount) Junction Box:

Cast aluminum construction. Designed with (1) back, (4) side and (2) top 1/2" NPT conduit entry locations. Top is secured to with (2) stainless steel screws and sealed with a one-piece die cut gasket. Yoke mount and NPT adapter included.

Brass (in-grade) junction box:

Die-cast brass with 1/2" NPSM fixture mount and die cast cover. 2 bottom and 4 side 1/2" conduit entry location. All side taps provided with plugs. May be cast into concrete for increased stability.

Threaded Knuckle:

Die-cast aluminum knuckle with 1/2" NPT threaded connection. Adjustable up to 180° in 5° increments.

Post-Top Knuckle:

Die-cast aluminum knuckle for 2-3/8"OD x 3.5"H Tenon. Secured to tenon with (2) stainless steel setscrews. Includes internal wiring compartment. Adjustable up to 180° in 5° increments.

