

### Sealed LED Low Bay

**Designed for industrial applications requiring a sealed fixture. The Albeo S-Series LED light is energy efficient, and extremely low maintenance. Ideal for food processing, wet locations, chemical wash down, high pressure hose down and hazardous locations.**

#### Heavy Duty Sealed Housing:

- 30° pitched hood for debris shedding
- One piece welded aluminum
- Class 1, Div 2, Groups A,B,C, & D\*
- Class 2, Div 2, Groups F & G\*
- CSA Wet Location Construction\*
- NSF Certified Food Equipment\*
- 1200 PSI High Pressure Hose Down

\*Pending certification

#### Optical Advantage

High performance LEDs offer superior efficacy and visual acuity with broad spectrum, quality colors for almost any application. High impact clear acrylic or prismatic lens.

#### Superior Performance

Instant start time. No flicker or buzzing. -10 to +110F operating temperature.

#### Electrical System

Universal 100V to 277V input. Luminaire disconnect and 0-10V dimming controls optional.

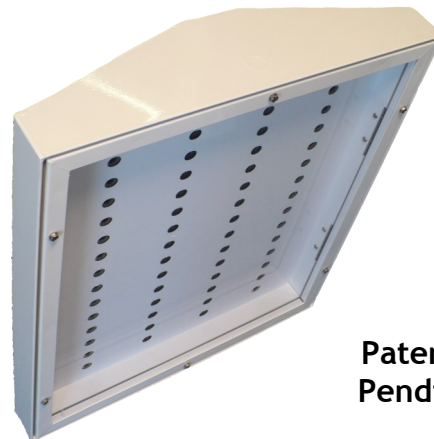
#### Easy Mounting

Single Hub or Eye Bolt mount.

#### Warranty

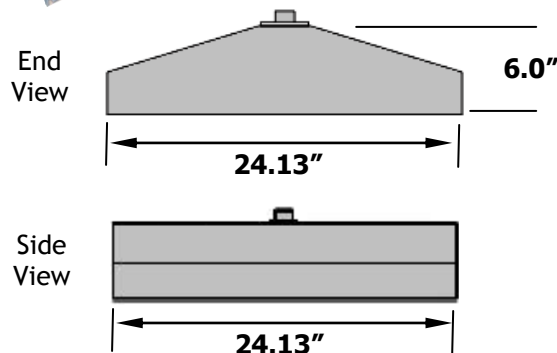
Five years, subject to Albeo's standard terms and conditions.

Part Number	
Type	Comment



Winner:  
2009 Next Generation  
Luminaires Award

Patents  
Pending



## Ordering Information

For more options or custom configurations, please contact sales.

Product Platform	Sealed Housing	Length	LED CCT	Input Voltage	Optics	Mounting	Intelligent Controls	Revision
<b>SH</b>	<b>HD</b>	<b>2</b>	<b>U2</b>					
<b>SH</b> S-Series Sealed LED Light Fixture	<b>ST Standard</b> <b>HD Heavy Duty</b>	<b>2 2 ft</b> (Low Bay) <b>4 4 ft</b> (High Bay)	<b>35 3500°K</b> <b>40 4000°K</b> <b>50 5000°K</b>	<b>U2</b> Universal 100V - 277V	<b>0 Clear Acrylic Lens</b> <b>D Diffused Lens</b>	<b>S</b> Single Hub 3/4" NPT (Low Bay) <b>D</b> Dual Hub 1/2" NPT (High Bay) <b>E</b> Eye Bolt	<b>0</b> None <b>V</b> 0-10V dimming	<b>Revision used to further define product configuration. See chart on page 2.</b>

Made in America



LM-79  
Tested

rev. 9.13.10

### Sealed LED Low Bay

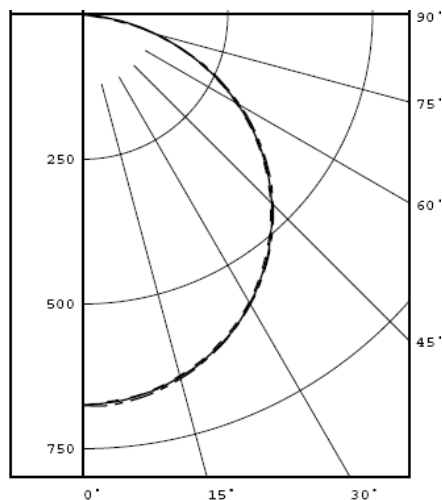
## Optical and Electrical Specifications

All options not listed. Please contact sales for technical specs of other part numbers.

Part Number	Length	Temp	# of LEDs	Lumens	Watts	Lumens/W
SH-HD250-U20xx-10	2 ft	5000 K	60	4,000	58	75
SH-HD240-U20xx-10	2 ft	4000 K	60	3,600	58	67
SH-HD250-U20xx-11	2 ft	5000 K	60	4,700	72	71
SH-HD240-U20xx-11	2 ft	4000 K	60	4,200	72	64

*Power and light output can vary +/- 10%*

## Photometry



**Standard  
Distribution**

The Albeo Sealed LED High Bay fixture must be installed by a qualified electrician. It is the responsibility of the contractor, installer, purchaser, owner, and user to install, maintain, and operate the fixture in such a manner as to comply with all state and local laws, ordinances, regulations, and the American National Standards Institute Safety Code.

US Patents Pending

Specification subject to change without notice. See website for latest version.

Made in America



Pending

**LM-79  
Tested**

rev. 9.13.10