

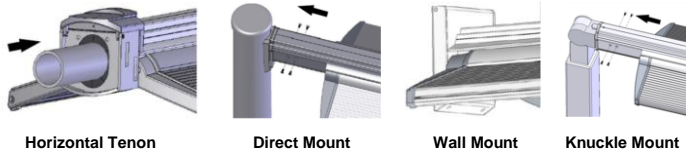
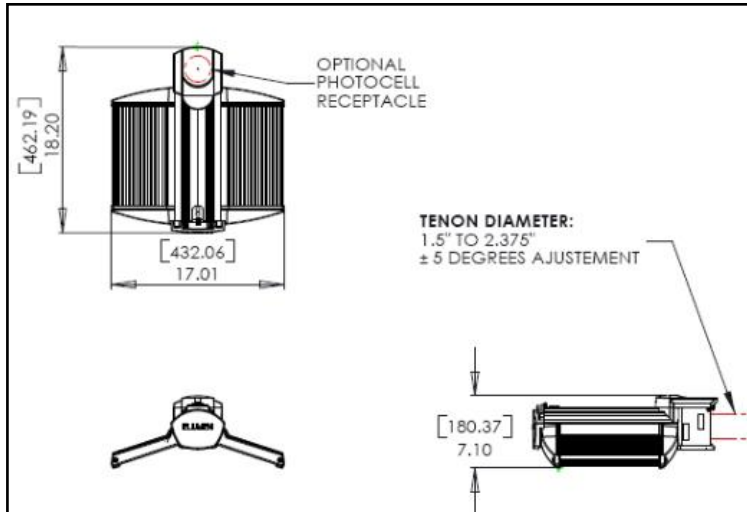


LIGHTING NETWORKS

# LED-SL SMALL SOLAR

Model: SE \_\_\_\_\_

## Ordering Guide



### Example: SE G SS S3 TMN 5A

Product Code	SE	Streetlight Elumen
Color	K B G	BLACK DARK BROWN GREY
SIZE	SS	Small Solar (adjustable to 20,35,55 or 65W)
LEDS	S3	5000K White LEDs (low voltage array) type 2 to 3 distribution *
MOUNTING	TM DM DR WM KM	Horizontal Tenon Mount 1.5" to 2 3/8" (38mm to 59mm) Direct Mount Square Pole Direct Mount Round Pole Wall Mount Knuckle Mount
PHOTO RECEPTACLE	N	None
WING ANGLE	1 2 3 4 5 6	degree (spacing up to 4 MH) 4.5 deg (spacing up to 4.5 MH) 9 deg (spacing up to 5MH) 13.5 deg (spacing up to 6 MH) 18 deg (spacing up to 7 MH) 22.5 deg (spacing up to 7.5 MH)
LED DRIVER	B BM BS	12/24 VDC 12/24 VDC w Midnight Dimming (50% from 11h30PM to 5h30AM) 85-300VAC w Motion Sensor (50% no motion, 100% when motion)

\* Type depends on wing angle. See cut sheet for more details

## Product Specifications

**LED Light:** Field Adjustable 25, 37, 55 or 75W DC LED light, (1650, 2489, 3215 and 4000 lumens), >100,000 hrs to L70 (LLF>70%), CRI>80.

**LED ARRAYS:** 720 5mm low power, lighting grade LEDs arranged in a series/parallel matrix for optimal reliability and heat dissipation. Each led uses less than 1/10th of a watt each and is precision aimed for optimal photometric performance. Separate panel assemblies (wings) can be field adjusted to 6 different beam patterns to achieve desired spacing requirements.

**LED DRIVER:** Elumen Lighting Networks **OptiDC<sup>tm</sup>** auto-ranging 12/24 VDC. 4 field adjustable power level via dip switches. Temperature compensation lowers power usage in cold weather to save batteries (3% reduction in consumption for each 10°C decrease in temperature), temperature protection and lightning protection are built-in. OPTIONS to substantially decrease battery and solar panel sizes: Automatic Midnight dimming to 50% from 11h30PM to 5h30AM or Motion sensor inputs for 50% /100% operation upon presence or absence of DC signal from an external sensor (not provided).

**HOUSING:** Aluminum extrusions and castings finished with a super durable, electrostatically applied thermoset polyester powdercoat applied after a 5 stage conversion cleaning process and bonded by heat fusion thermosetting. Laboratory tested for superior weatherability and fade resistance in accordance with ASTM B-117-64 and ANSI/ASTM G53-77 specifications. High Impact Acrylic Lens is sealed to housing (IP66 protection).

**ENVIRONMENTAL:** -60 °C to 45 °C operating temperature. Vibration tested as per ANSI C136.31-2001 for bridges.

**CERTIFICATIONS:** CSA Listed to U.S. Safety Standards UL1598 and CSA C22.2 No. 250.0-08 for wet locations. Manufactured to ISO 9001:2000 Standards. RoHS.

**WARRANTY:** 5 year limited warranty

**IESNA Classifications:** Full Cut-Off at 0 degrees wing angle.

**DIMENSIONS (W x H x L) :** 15.75" x 7.0" x 17.1" (400mm x 178mm x 434mm)

**EPA:** 0.8 sq. ft.

**WEIGHT:** 13.3 lbs (6,0 Kg)

**PATENT PENDING**



**OptiDC<sup>tm</sup>**



# LED-SL SMALL SOLAR

Model: SE \_\_\_\_\_

## LIGHTING NETWORKS

