

8 ft Dual LED

Albeo's C-Series Linear suspended fixture provides an energy-efficient, no maintenance alternative to traditional fluorescent strip lights. Ideal for office, commercial, industrial, and retail applications. Using Albeo's patent-pending TEMPR™ technology, The C-Series Linear lasts up to 5 times longer and runs cooler than fluorescents with no mercury. Provides equivalent light to fluorescent with 1/3 less power.

Robust and Innovative Construction

Heavy Duty extruded housing and Albeo's TEMPR™ thermal management technology transfers heat from the LED, reducing junction temperature for more light and longer life.

Superior Performance

High performance LEDs offer superior efficacy and visual acuity with broad spectrum, quality colors. Instant start time. No flicker or buzzing. -30 to +45 C operating temperature.

Optical Advantage

Directional LEDs put light where it's needed. Standard, narrow, or aisle lens available.

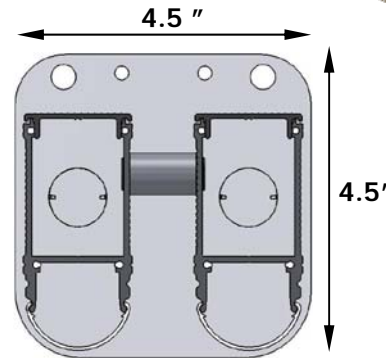
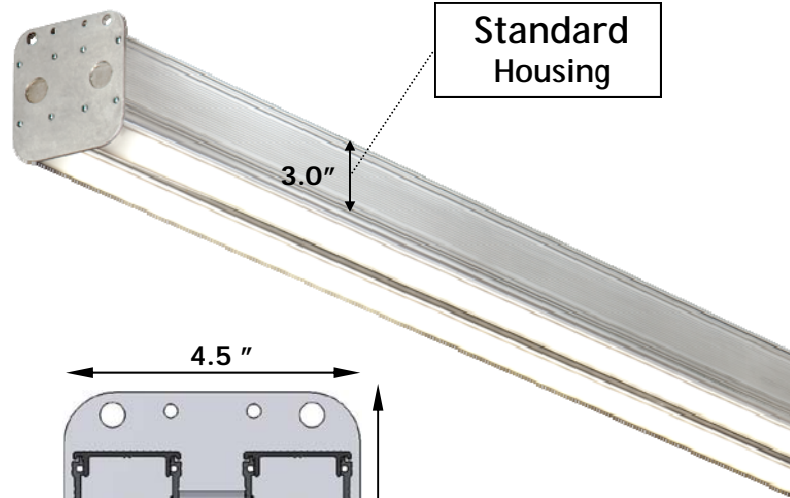
Electrical System

120V, 277V, or Universal input. Variety of transformers available. Luminaire disconnect optional.

Easy Mounting

Standard chain/cable or rod suspended.

Part Number	
Type	Comment / Count



Patents Pending

Controls

Optimize energy savings with occupancy/motion sensing and dimming options.

Lifetime

Independently certified in-situ temperature testing in conjunction with LM-80 tested LEDs provides L70 lifetime up to 100,000 hours.

Warranty

5 years, subject to Albeo's standard terms and conditions.

Ordering Information

Not all combinations available.

Product Platform	Model	# of LED bars	Length	LED CCT	LED Pitch	Input Voltage	Optics	Mounting	Intelligent Controls	Revision
LS	—	2	8	—	—	—	—	—	—	—
LS Linear Suspended LED Light Fixture	B High Brightness V High Value	1 1 bar 2 2 bar	4 4 ft 8 8 ft	4 5000°K 5 4200°K 6 3500°K	0 1 inch (Bright) 1 1.5 inch (Value)	1 120 V 2 277 V U 120-277 Universal	0 Lens 1 No Lens D Diffused W Wide N Narrow (44° beam) A Aisle (14° beam)	C Chain R Rod N Cont. Run	0 None M Motion V 0-10V dimming L Line voltage dimming (120V only)	Revision used to further define product configuration. See chart on page 2.

Made in America



LM-79

rev. 8.5.10

8 ft Dual LED

Optical and Electrical Specifications

Part Number	
Type	Comment / Count

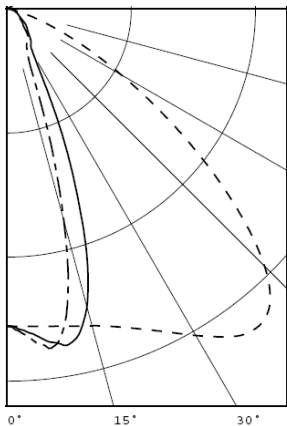
All options not listed. Please contact sales for technical specs of other part numbers.

Type	Part Number	Transformer	Dimming	Color	Temp	CRI	# LEDs	Lumens	Lm/W	Watts	UL
Value	LS-V284-1U0xx-10	Power Supply	0-10V only	Bright	5000 K	70	120	8570	74	116	yes
	LS-V285-1U0xx-10	Power Supply	0-10V only	Cool	4200 K	85	120	7080	61	116	yes
	LS-V284-1U0xx-11	Power Supply	0-10V only	Bright	5000 K	70	120	10,000	69	144	yes
	LS-V285-1U0xx-11	Power Supply	0-10V only	Cool	4200 K	85	120	8260	57	144	yes
	LS-V284-110xL-12	Electronic	yes	Bright	5000 K	70	120	8570	74	116	yes
	LS-V285-110xL-12	Electronic	yes	Cool	4200 K	85	120	7080	61	116	yes
	LS-V284-110xL-13	Electronic	yes	Bright	5000 K	70	120	10,000	69	144	yes
	LS-V285-110xL-13	Electronic	yes	Cool	4200 K	85	120	8260	57	144	yes
	LS-V284-1x0xx-14	Magnetic	0-10V only	Bright	5000 K	70	120	8570	74	116	no
	LS-V285-1x0xx-14	Magnetic	0-10V only	Cool	4200 K	85	120	7080	61	116	no
	LS-V284-1x0xx-15	Magnetic	0-10V only	Bright	5000 K	70	120	10,000	69	144	no
	LS-V285-1x0xx-15	Magnetic	0-10V only	Cool	4200 K	85	120	8260	57	144	no
Bright	LS-B284-0U0xx-10	Power Supply	0-10V only	Bright	5000 K	70	180	12,040	76	159	yes
	LS-B285-0U0xx-10	Power Supply	0-10V only	Cool	4200 K	85	180	9950	62	159	yes
	LS-B284-010xL-12	Electronic	yes	Bright	5000 K	70	180	12,040	76	159	yes
	LS-B285-010xL-12	Electronic	yes	Cool	4200 K	85	180	9950	62	159	yes

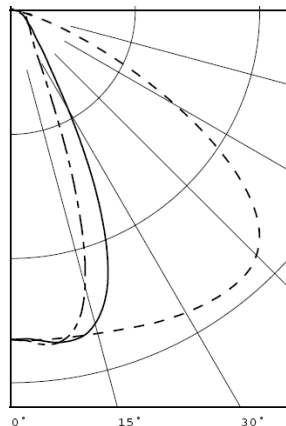
Power and light output can vary +/-10%

Photometry

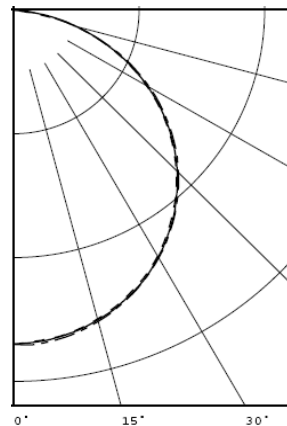
Tested to LM-79 standards. IES files available.



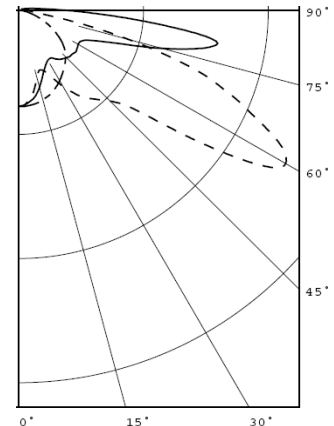
Aisle Distribution
14° Beam Spread



Narrow Distribution
44° Beam Spread



Standard Distribution
120° Beam Spread



Wide Distribution
"Bat Wing"

The Albeo LED Suspended Strip fixture must be installed by a qualified electrician. It is the responsibility of the contractor, installer, purchaser, owner, and user to install, maintain, and operate the fixture in such a manner as to comply with all state and local laws, ordinances, regulations, and the American National Standards Institute Safety Code.

US Patents Pending

Specification subject to change without notice. See website for latest version.

Made in America



LM-79
Tested

rev. 8.5.10



GREENLIGHT INITIATIVE – New York, NY - Ph: (718) 784-4440 - Fax: (718) 228-8202 – Toll Free: 888-788-LEDS (5337) Sales@lednyc.com – info@lednyc.com – www.LEDnyc.com