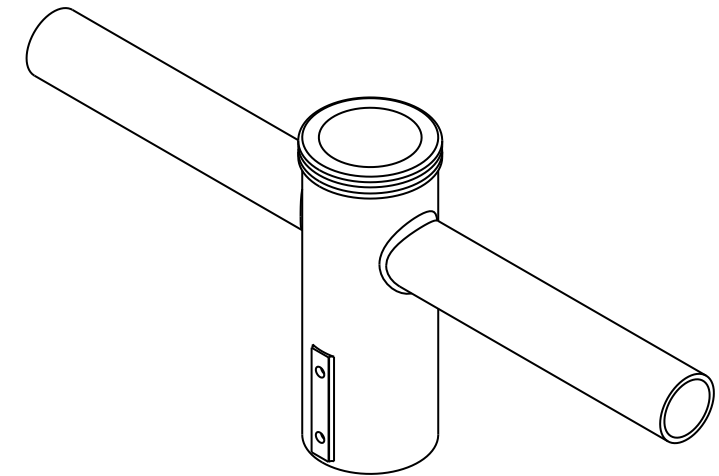
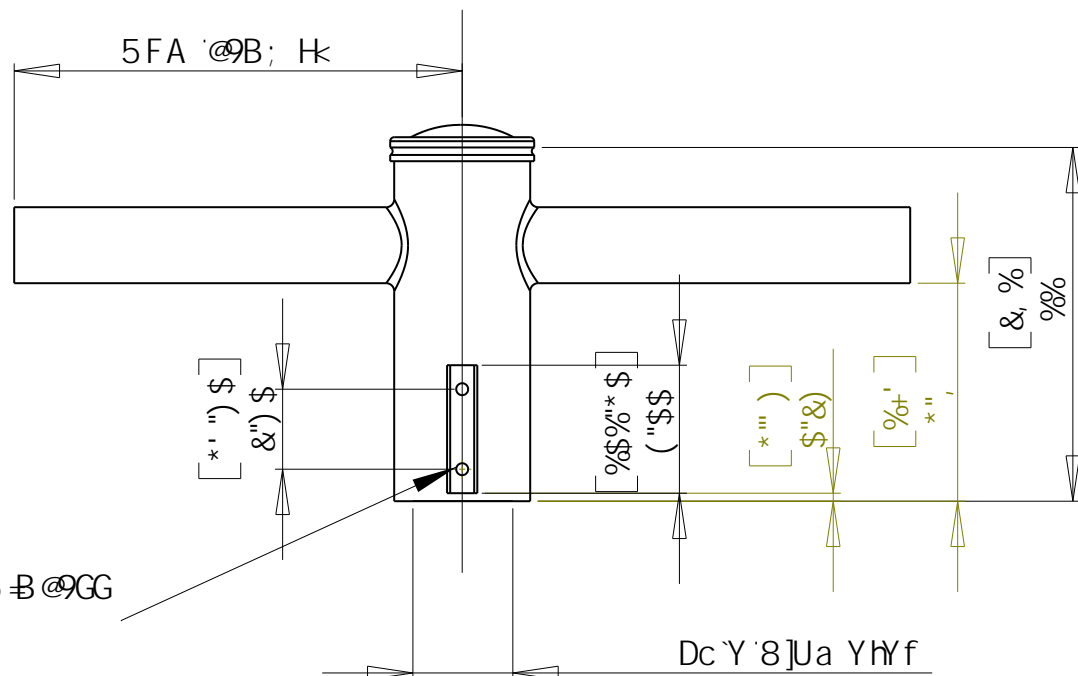
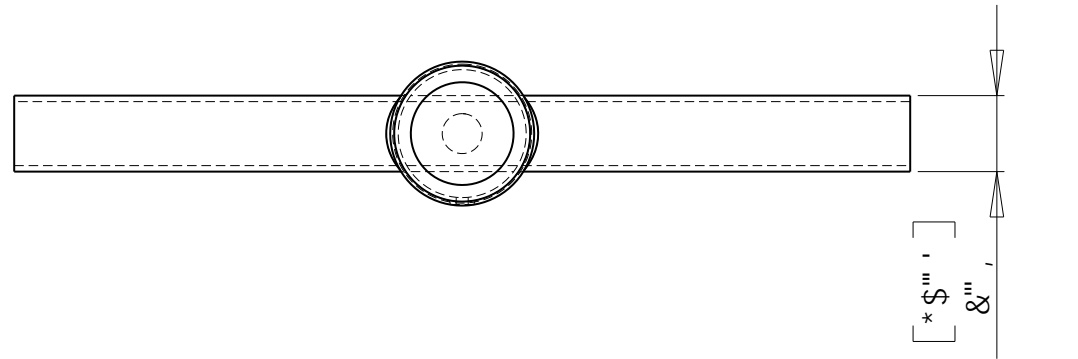


F9J GC BG				
NC B9	F9J "	89G7 F-DHC B	85H9	5DDFC J 98
	\$\$%	-B #H5 @F 9@95 G9	&&'>5B' &\$\$-	7'89J



A 6GC ! '&(' ! '&%&! '5@! '6?

%A ci bh]b['6fUW_Yh'&! 'Dc`Y'8]Ua YHYf'' !5fa g''''''('! 5fa `@/b[h)! 'A UHYf]U''''''*! :]b]g

A 6GC 1''A ci bh]b['6fUW_Yh G]d!C b

&(1&' ffidc Y '\$1'' ffidc Y ')1'') ffidc Y (\$1' ffidc Y ()1'') ffidc Y)\$1' ffidc Y))1'') ffidc Y

%' %Ufa &1 '&Ufa g'6UW_ hc 'VUW_ '1'' Ufa g Uh%&\$ XY[" (1'(' Ufa g Uh- '\$XY["

%&1 '%&ffi " " "

G1'GHYY` 5@'5'i a]bi a

; F1'@[\h; fYm 6?1'6'UW_ K <1'K \jY 6F1'6fck b !'1' Bc Z]b]g

DFC DF-45FM5B87CB: -89BH5@ H:9'B: CFA 5HC B 7CBH5 898-B H:G 8F5K B: 'GH:9GC @DFC D9FMC: 9@A 9B FvG951 L 8R7 @5 F5: 9' 5BM F9DFC 81 7 HC B 'B D5FHC F 5G5 K <C @ K #k: C1 HH:9K F #H9B D9FA GGC B C: 9@A 9B FvG951 L 8R7 @5 F5: 9-G DFC <6H98"

1 B @9GC H:9FK @9 @97 = 98.	B5A 9
8 A 9B GC BG 5F9-B 'B7 <9C K #k: B '005F9-B A @9A 9HFG HC @9F 5B7 9G	8F5K B
5B: 1 @5F. 'A 57 <±'s) 69B 8 ±'% H: C D @57 9897-A 5@''±\$'\$& H: F99 D @57 9897-A 5@±\$'\$s)	7 <97?98
A 5H9F-5@	9B: '5DDF"
	A: ; '5DDF"
	E "5"
	7 CA A 9BHG
	H: F 8 5B: @9DFC >97 HC B

9@ A 9B' FvG951 L 8R7 @5 F5: 9'B 7 "	
H# @.	
A C I BHB; '6F57?9HG@D!C BF\$\$%	
GAN 6	8K ; "'BC "
G<99H% C : %	