



LRK-2P

Universal LED Retrofit Kit

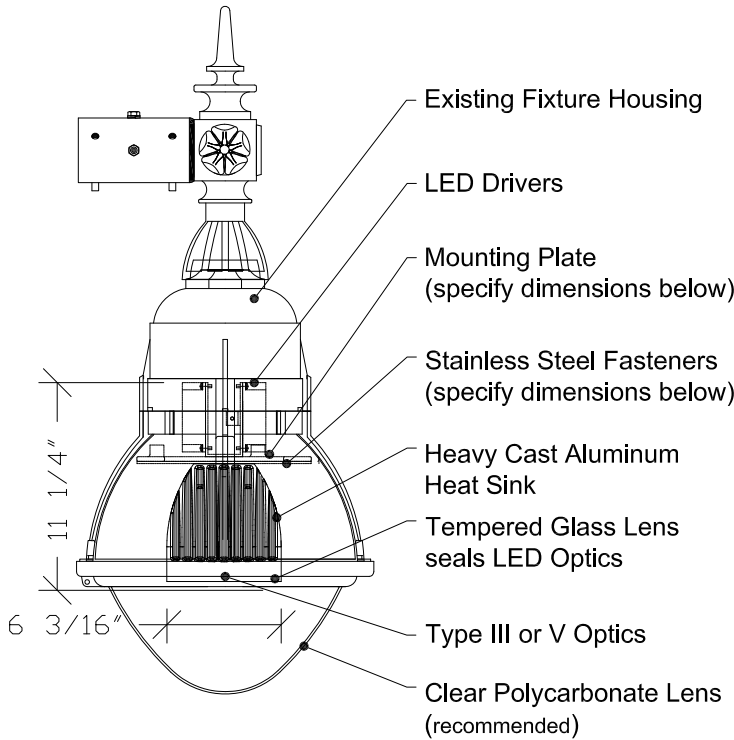
For pendant-mount luminaires

Project Information	
Name / Location:	/
Type / Quantity:	/
Sold to:	
PO#:	

Approvals

Retrofit Kit Details

Benefits



- 50,000+ hour lamp life at 70% lumen maintenance
- Up to 75% energy savings
- Replaces Up to 175w Metal Halide or 150w High Pressure Sodium Sources
- Designed to fit most pendant luminaires
- Available in 120 - 480V
- Built-in lightning surge protection
- Available in Type III and V distributions

Specifications

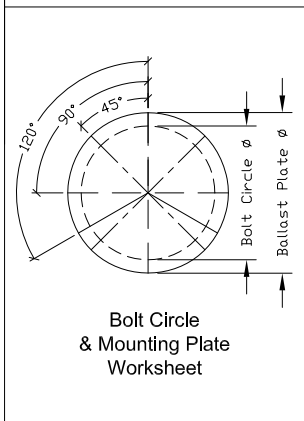
Construction:
All cast aluminum parts shall be low copper alloy A356. All extruded aluminum parts shall be alloy 6061-T6, 6063-T5 or equal.

Electrical Assembly (LED):
The electronic driver(s) shall be mounted with nonferrous fasteners. The driver(s) shall have a high-temperature, flame-resistant (UL 94V-0 minimum) enclosure. The input voltage range shall be 120-277 VAC, 47 to 63 Hz with a 90% power factor at full load. An integral step-down transformer shall be provided when a 347V or 480V input voltage is required. Load regulation shall be +/- 3%. The driver shall have output over voltage and over current protection and output short circuit protection with auto recovery. Operating temperature shall be -30°C to 60°C. The driver shall be designed to operate for 100K hours (MTBF) and the LED source shall be rated for a minimum of 50K hours (70% lumen maintenance @ 25°C ambient temperature). The LED source shall be mounted to an aluminum heat sink and located within a luminaire (by others).
Dual drivers may be utilized for bi-level switching (consult factory).

The retrofit kit shall be CSA Recognized and suitable for installation in qualifying wet location rated fixtures.

Fasteners:
All fasteners shall be stainless steel.

Finish:
Heat sink finish shall be Beacote V black polyester powdercoat electrostatically applied and thermocured. Components shall be subjected to chemical pre-treatment prior to painting by immersion process.



Electrical & Mounting Information

Mounting Plate Ø: _____	Bolt Circle Ø: _____	<input type="checkbox"/> 2	<input type="checkbox"/> 3	<input type="checkbox"/> 4	<input type="checkbox"/> Other: _____	<input type="checkbox"/> @ 45°	<input type="checkbox"/> @ 90°	<input type="checkbox"/> @ 120°	<input type="checkbox"/> @ 180°	<input type="checkbox"/> Other: _____	<input type="checkbox"/> 24W LED	<input type="checkbox"/> 48W LED	<input type="checkbox"/> 60W LED	<input type="checkbox"/> 80W LED	<input type="checkbox"/> 120 - 277V	<input type="checkbox"/> 347V*	<input type="checkbox"/> 480V*	<input type="checkbox"/> Other _____	<input type="checkbox"/> Type III	<input type="checkbox"/> Type V
Bolt Length: _____	Bolt Size: _____	* Consult Factory																		

