



# LRK-2D

## Universal Direct LED Retrofit Kit

For post-top acorn & sphere luminaires

**Project Information**

Name / Location: \_\_\_\_\_ / \_\_\_\_\_

Type / Quantity: \_\_\_\_\_ / \_\_\_\_\_

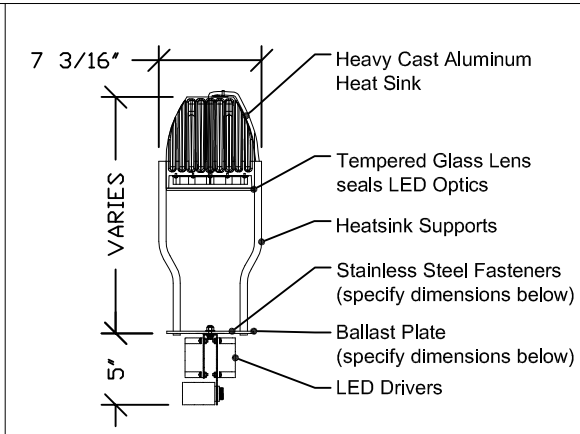
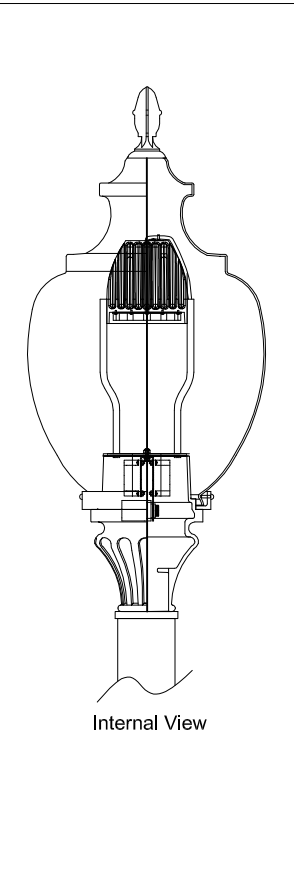
Sold to: \_\_\_\_\_

PO#: \_\_\_\_\_

**Approvals**

**Retrofit Kit Details**

**Benefits**



- 50,000+ hour lamp life at 70% lumen maintenance
- Up to 75% energy savings
- Replaces Up to 175w Metal Halide or 150w High Pressure Sodium Sources
- Designed to fit most post-top luminaires
- Available in 120 - 480V
- Built-in lightning surge protection
- Available in Type III and V distributions

**Replacement Globe Info (optional)**

**Specifications**

\* Consult factory for (D) Sphere Globe Options

**Globe options (select one)**

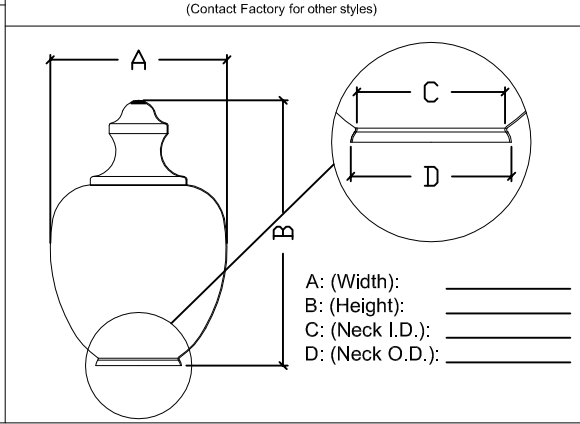
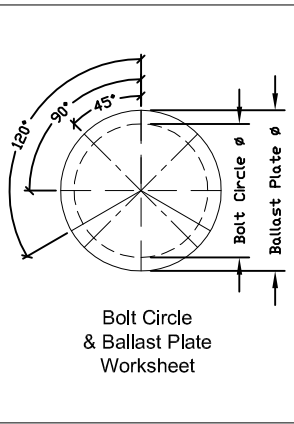
acrylic clear textured

polycarbonate clear textured

**Select Globe Style**  
(Contact Factory for other styles)

**Construction:**  
All cast aluminum parts shall be low copper alloy A356. All extruded aluminum parts shall be alloy 6061-T6, 6063-T5 or equal.

**Electrical Assembly (LED):**  
The electronic driver(s) shall be mounted with nonferrous fasteners. The driver(s) shall have a high-temperature, flame-resistant (UL 94V-0 minimum) enclosure. The input voltage range shall be 120-277 VAC, 47 to 63 Hz with a 90% power factor at full load. An integral step-down transformer shall be provided when a 347V or 480V input voltage is required. Load regulation shall be +/- 3%. The driver shall have output over voltage and over current protection and output short circuit protection with auto recovery. Operating temperature shall be -30°C to 60°C. The driver shall be designed to operate for 100K hours (MTBF) and the LED source shall be rated for a minimum of 50K hours (70% lumen maintenance @ 25°C ambient temperature). The LED source shall be mounted to an aluminum heat sink and located within a luminaire (by others).



Dual drivers may be utilized for bi-level switching (consult factory).

The retrofit kit shall be CSA Recognized and suitable for installation in qualifying wet location rated fixtures.

**Fasteners:**  
All fasteners shall be stainless steel.

**Finish:**  
Heat sink finish shall be Beacote V black polyester powdercoat electrostatically applied and thermocured. Components shall be subjected to chemical pre-treatment prior to painting by immersion process.

**Electrical & Mounting Information**

Mounting Plate Ø: \_\_\_\_\_ Bolt Circle Ø: \_\_\_\_\_

Bolt Length: \_\_\_\_\_ Bolt Size: \_\_\_\_\_

**# of Bolts**

2  
 3  
 4  
 Other: \_\_\_\_\_

**Bolt Pattern**

@ 45°  
 @ 90°  
 @ 120°  
 @ 180°  
 Other: \_\_\_\_\_

**LED Package**

24W LED  
 48W LED  
 60W LED  
 80W LED

**Voltage**

120 - 277V  
 347V\*  
 480V\*  
 Other: \_\_\_\_\_

**Distribution**

Type III  
 Type V

\* Consult Factory



**GREENLIGHT INITIATIVE** - New York, NY - Ph: (718) 784-4440 - Fax: (718) 228-8202 - Toll Free: 888-788-LEDS (5337) [Sales@lednyc.com](mailto:Sales@lednyc.com) - [info@lednyc.com](mailto:info@lednyc.com) - [www.LEDnyc.com](http://www.LEDnyc.com)