



# LRK-2

## Universal LED Retrofit Kit

For post-top acorn & sphere luminaires

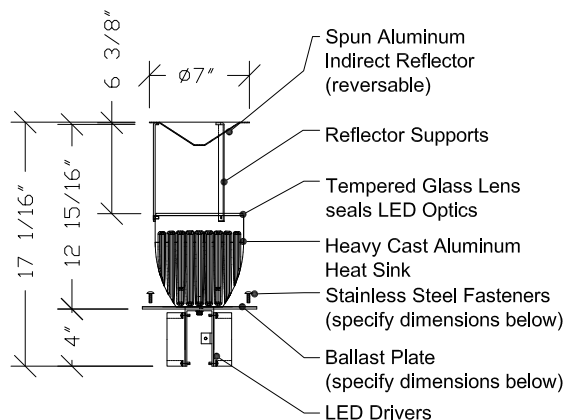
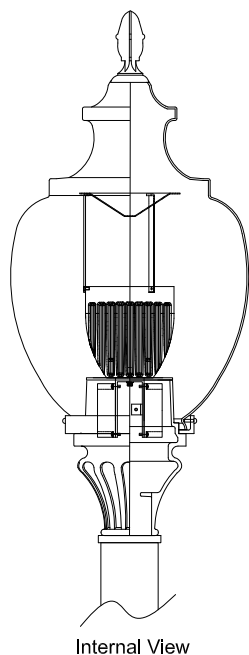
### Project Information

Name / Location: \_\_\_\_\_ / \_\_\_\_\_  
 Type / Quantity: \_\_\_\_\_ / \_\_\_\_\_  
 Sold to: \_\_\_\_\_  
 PO#: \_\_\_\_\_

### Approvals

\_\_\_\_\_

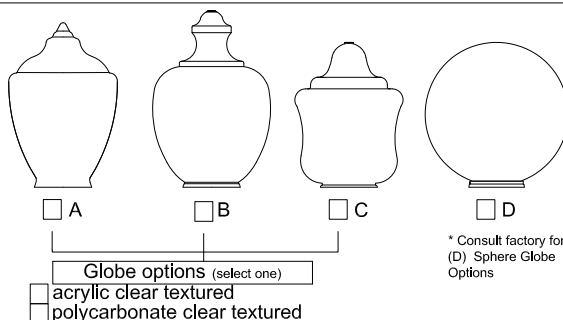
### Retrofit Kit Details



### Benefits

- Indirect reflector significantly reduces glare
- 50,000+ hour lamp life at 70% lumen maintenance
- Up to 75% energy savings
- Replaces Up to 175w Metal Halide or 150w High Pressure Sodium Sources
- Designed to fit most post top luminaires
- Available in 120 - 480V
- Built-in lightning surge protection

### Replacement Globe Info (optional)



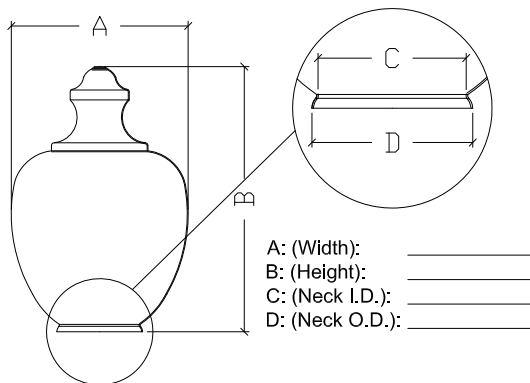
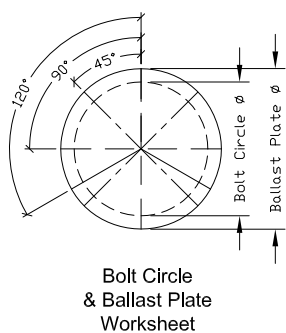
### Select Globe Style

(Contact Factory for other styles)

### Specifications

**Construction:**  
 All cast aluminum parts shall be low copper alloy A356. All extruded aluminum parts shall be alloy 6061-T6, 6063-T5 or equal.

**Electrical Assembly (LED):**  
 The electronic driver(s) shall be mounted with nonferrous fasteners. The driver(s) shall have a high-temperature, flame-resistant (UL 94V-0 minimum) enclosure. The input voltage range shall be 120-277 VAC, 47 to 63 Hz with a 90% power factor at full load. An integral step-down transformer shall be provided when a 347V or 480V input voltage is required. Load regulation shall be +/- 3%. The driver shall have output over voltage and over current protection and output short circuit protection with auto recovery. Operating temperature shall be -30°C to 60°C. The driver shall be designed to operate for 100K hours (MTBF) and the LED source shall be rated for a minimum of 50K hours (70% lumen maintenance @ 35°C ambient temperature). The LED source shall be mounted to an aluminum heat sink and located within a luminaire (by others).  
 Dual drivers may be utilized for bi-level switching.



The retrofit kit shall be UL Classified and suitable for installation in qualifying wet location rated fixtures.

**Fasteners:**  
 All fasteners shall be stainless steel.

**Finish:**  
 Heat sink finish shall be Beacote V black polyester powdercoat electrostatically applied and thermocured. Components shall be subjected to chemical pre-treatment prior to painting by immersion process.

### Mounting Information

Ballast Plate Ø: \_\_\_\_\_ Bolt Circle Ø: \_\_\_\_\_ # of Bolts:  2  3  4  Other: \_\_\_\_\_

Bolt Length: \_\_\_\_\_ Bolt Size: \_\_\_\_\_ Bolt Pattern:  @ 45°  @ 90°  @ 120°  @ 180°  Other: \_\_\_\_\_

LED Package:  24W LED  48W LED  60W LED  80W LED

Voltage:  120 - 277V  347V  480V  Other: \_\_\_\_\_

