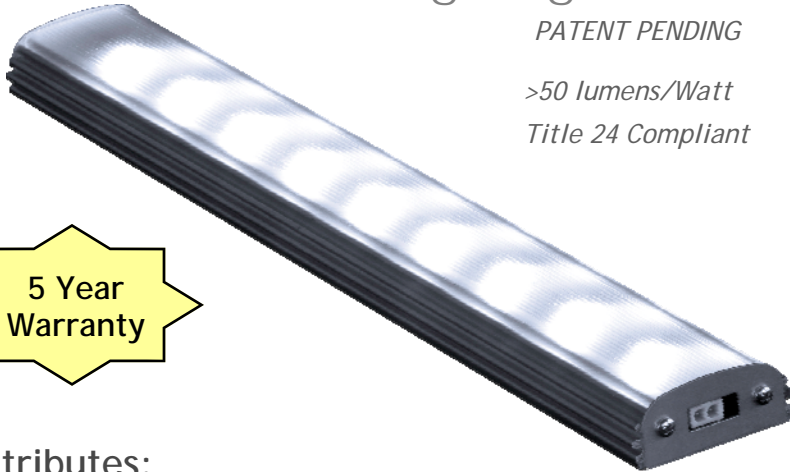


## Under-Cabinet LED Lighting



**5 Year Warranty**

PATENT PENDING

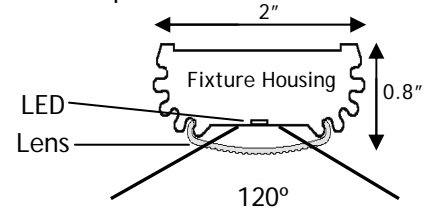
>50 lumens/Watt

Title 24 Compliant

Part Number	
Type	Comment / Count



TEMPR™ thermal management technology transfers heat from the LED into the extruded aluminum housing to reduce junction temperature for maximum performance and lifetime.



### Attributes:

#### Construction

- Extruded Aluminum housing
- Polycarbonate lens

#### Fixture Color

- Silver Anodize
- Black Anodize

#### Mounting

- Plastic extruded bracket
- Optional tilting bracket
- Magnetic mounting available  
-Consult Albeo Sales

#### Operating Life

- 50,000 to 75,000 hours

#### Control

- Low-voltage dimming (AC Only)
- Lutron brand dimmers recommended

#### Daisy Chaining Interface

- 2-pin locking connector

#### Lengths

- 6" to 91" (7.5 ft)
- Max run is 12 ft of fixture length
- Multiple runs per transformer

#### Options

- Light diffuser
- 3 level digital switch  
- Settings: Low, Medium, High, Off  
- Price adder. Consult Albeo Sales  
- Adds 1.5" to length; 12V DC only

#### LEDs

- 1 Watt—High Efficacy LEDs
- 120° Beam Angle
- Up to 80 lumens/ LED
- CCT: 2700°K, 3500°K, 4000°K, 5000°K

#### Power Input

- Nominal 12V DC or 12V AC
- ~4 Watts/ft (3" pitch, DC)
- ~7 Watts/ft (1.5" pitch, DC)

#### Lumen Output

- >500 lm/ft @ 5000°K (1.5" pitch)

**Ordering Information:** (Power Supplies priced separately. See page 2 for options. Contact Albeo sales for more info.)

Product Platform	Length	LED CCT	LED Optics	LED Pitch	Electrical Input	Electrical Output	Fixture Color	Power
TP	1 2 3 4 5 6 7 8 9 A B C D E F H J K L	8 2700°K 6 3500°K 5 4000°K 4 5000°K	0 120° Beam Angle D Diffuser	0 1.5" pitch 2 3" pitch	A 2-Pin 6 Hardwired	A 2-pin 0 On/off switch 2 Nothing	K Black C Silver	A 12V AC D 12V DC
Talea-HP								
Under-Cabinet LED lighting	SEE CODE BELOW FOR LENGTHS				2 Barrel Jack	0 On/off switch 2 Nothing	K Black C Silver	D 12V DC
					Digital Switch w: 4 Hardwired 0 Barrel Jack	2 Nothing	K Black C Silver	D 12V DC

Length Code	1	2	3	4	5	6	7	8	9	A	B	C	D	E	F	G	H	J	K	L
Inches	6	10	14.5	19	23.5	28	32.5	37	41.5	46	50.5	55	59.5	64	68.5	73	77.5	82	86.5	91
1.5" pitch Lengths	X	X	X	X	X	X	X	X	X	X	X	X	X	X	X	X	X	X	X	X
3" pitch Length		X		X		X		X		X		X		X		X		X		X

Made in America



LM-79  
Tested

rev. 11.5.10

## Under-Cabinet LED Lighting

### Optical and Electrical Specifications:

Chart below is for 1.5" Pitch, 3500°K CCT. 3" Pitch wattage is 60% of 1.5" wattage.

Part Number	Length Code	Length (1.5" Pitch)	# of LEDs	Lumens	12V DC Amps	DC Watts (1.5" Pitch)	AC Watts (1.5" Pitch)
TP-1x00-AAxx	1	6"	3	150	0.28	2.9	3.2
TP-2x00-AAxx	2	10"	6	300	0.56	5.7	6.4
TP-3x00-AAxx	3	14.5"	9	450	0.84	8.6	9.5
TP-4x00-AAxx	4	19"	12	600	1.12	11.4	12.7
TP-5x00-AAxx	5	23.5"	15	750	1.40	14.3	15.9
TP-6x00-AAxx	6	28"	18	900	1.68	17.1	19.1
TP-7x00-AAxx	7	32.5"	21	1050	1.96	20.0	22.2
TP-8x00-AAxx	8	37"	24	1200	2.24	22.9	25.4
TP-9x00-AAxx	9	41.5"	27	1350	2.52	25.7	28.6
TP-Ax00-AAxx	A	46"	30	1500	2.80	28.6	31.8
TP-Bx00-AAxx	B	50.5"	33	1650	3.08	31.4	34.9
TP-Cx00-AAxx	C	55"	36	1800	3.36	34.3	38.1
TP-Dx00-AAxx	D	59.5"	39	1950	3.64	37.1	41.3
TP-Ex00-AAxx	E	64"	42	2100	3.92	40.0	44.5
TP-Fx00-AAxx	F	68.5"	45	2250	4.20	42.9	47.6
TP-Gx00-AAxx	G	73"	48	2400	4.48	45.7	50.8
TP-Hx00-AAxx	H	77.5"	51	2550	4.76	48.6	54.0
TP-Jx00-AAxx	J	82"	54	2700	5.04	51.4	57.2
TP-Kx00-AAxx	K	86.5"	57	2850	5.32	54.3	60.3
TP-Lx00-AAxx	L	91"	60	3000	5.60	57.2	63.5

Lumen output is -10% for LED CCT 2700K and +10% for LED CCT 4000K. 3" pitch not available in all lengths.

### Available Power Supplies and Cables:

#### AC Transformers

- 75W Electronic Transformer (120V input only)
- 300W Electronic Transformer (120V input only)
- 150W Magnetic Transformer
- 300W Magnetic Transformer

#### DC Power Supplies

- 1.2 Amp Wall Plug
- 2 Amp Wall Plug
- 5 Amp Table Plug
- 8.3 Amp Table Plug

#### DC In-Line Power Supplies

- 5 Amp (Remote)
- 8 Amp (Remote)

#### Cables (with 2-Pin connectors.)

- Power: 3, 6, 10, and 20 ft.
- Jumper: 2, 3, 6, 12, and 24 in.

### Electrical Input/Output:

#### 2-Pin Locking



Used with daisy chaining

#### Barrel Jack



12V DC only

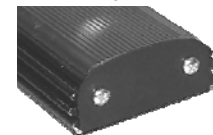
#### On/Off Switch



#### Hardwired



#### Blank



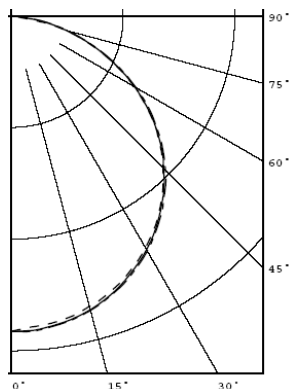
#### Digital Switch\*



\*Pictured with Barrel Jack  
Also available with Hardwired  
\*Adds 1.5" to length  
\*12V DC only

### Photometry:

#### Standard Distribution 120° Beam Angle



### Mounting:

Magnetic mounting also available. Consult Albeo Sales.

#### Standard Plastic Extruded Bracket



Mounted via two screw holes per bracket. Clips to fixture housing

#### Optional Tilting Bracket

For lengths less than 46". Price adder.



Made in America



LM-79  
Tested

rev. 11.5.10