



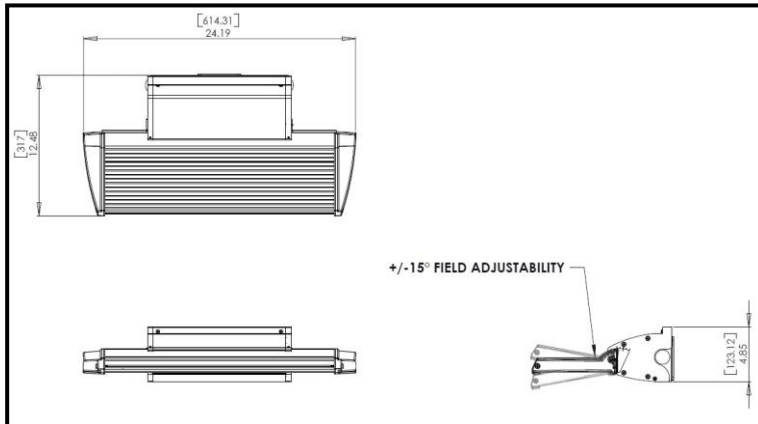
LIGHTING NETWORKS

WaLED 33 and 50WX

Model: WE _____

Ordering Guide

Example: WE G 50X C3 WM A



| | | |
|--------------|-----|--|
| Product Code | WE | WaLED Elumen |
| Color | K | BLACK |
| | B | DARK BROWN |
| | G | GREY |
| POWER | 33 | 36W |
| | 50X | 55W |
| LEDS | C3 | 5000K White LEDs |
| MOUNTING | WM | |
| LED DRIVER | A | 85-300VAC |
| | AM | 85-300VAC w Midnight Dimming (50% from 11h30PM to 5h30AM) |
| | AS | 85-300VAC w Motion Sensor (50% no motion, 100% when motion) |



Product Specifications

LED Light: 55W initial consumption, 3370 delivered and maintained lumens, 60,000 hrs without lumen depreciation (LLF>95%), CRI>80. Also available in 33W, with 2250 lumens and more than 90,000 hours without lumen depreciation.

LED ARRAYS: 720 5mm low power, lighting grade LEDs arranged in a series/parallel matrix for optimal reliability and heat dissipation. Each led uses less than 1/10th of a watt each and is precision aimed for optimal photometric performance. The panel assembly (wing) can be field tilted from -15° to + 15° to improve or limit the beam pattern.

LED DRIVER: Elumen Lighting Networks **OptiAC™** auto-ranging 85-300Vac, 50-60Hz input, 0.98 Power factor and THD<10%. Standard aging compensation algorithm insures long led life and uniform intensity for 14 years (end of life power consumption will be 30% more than initial). Temperature compensation, temperature protection and lightning protection are built-in. **OPTIONS:** Automatic Midnight dimming to 50% from 11h30PM to 5h30AM or Motion sensor inputs for 50% /100% operation upon presence or absence of AC signal from an external sensor (not provided).

HOUSING: Aluminum extrusions and castings finished with a super durable, electrostatically applied thermoset polyester powdercoat applied after a 5 stage conversion cleaning process and bonded by heat fusion thermosetting. Laboratory tested for superior weatherability and fade resistance in accordance with ASTM B-117-64 and ANSI/ASTM G53-77 specifications. High Impact Acrylic Lens is sealed to housing (IP66 protection).

ENVIRONMENTAL: -60 °C to 45 °C operating temperature.

CERTIFICATIONS: CSA/UL for wet locations pending. RoHS.

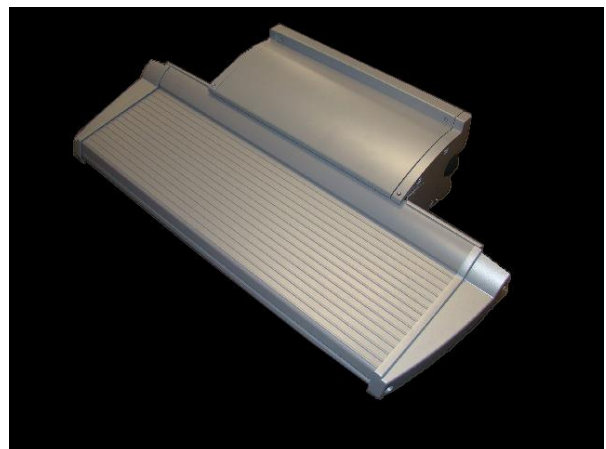
WARRANTY: 5 year limited warranty

IESNA Classifications: Full Cut-Off.

DIMENSIONS (W x H x L) : 15.75" x 7.0" x 17.1" (400mm x 178mm x 434mm)

WEIGHT: 13.3 lbs (6,0 Kg)

PATENT PENDING

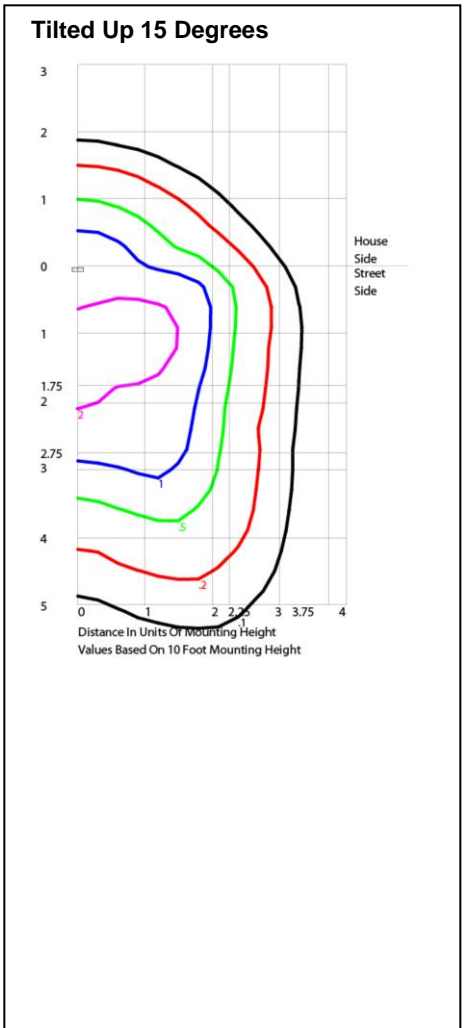
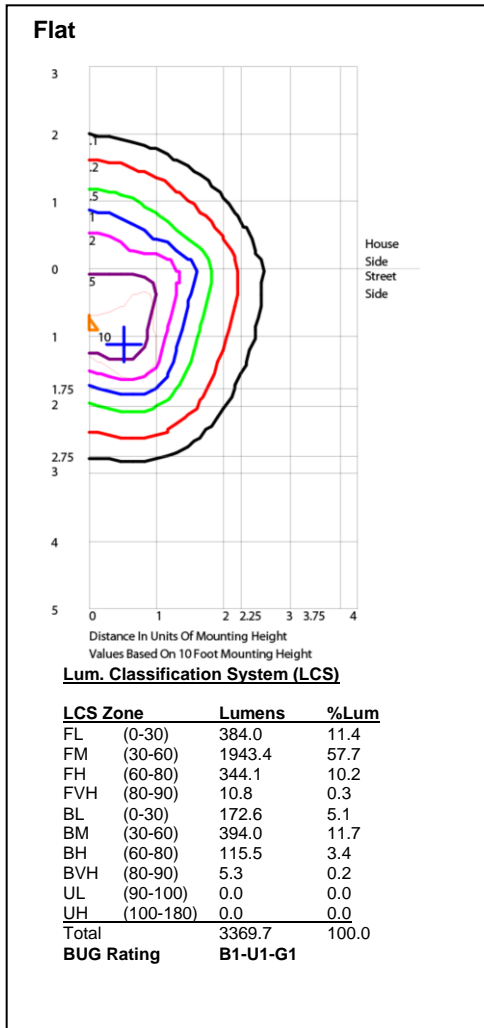
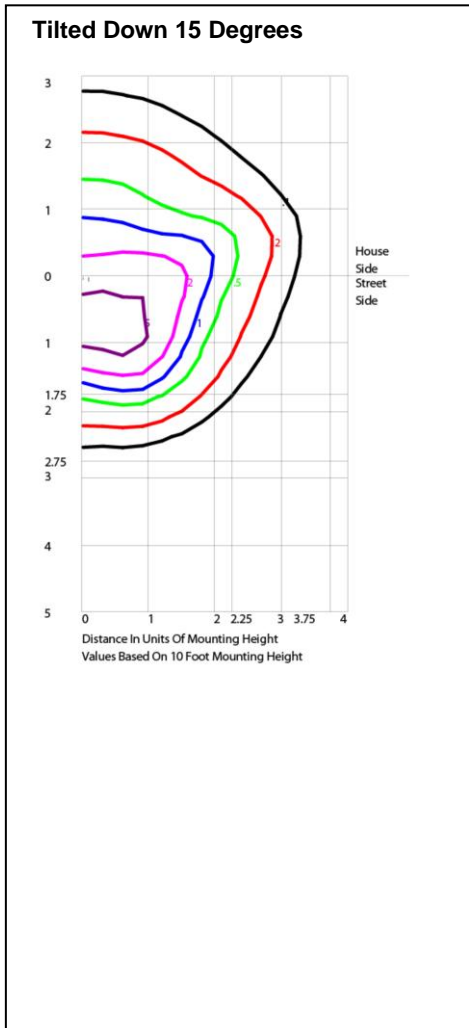




LIGHTING NETWORKS

WaLED 33 and 50WX

Model: WE _____



Elumen Lighting Networks reserves the right to modify the above details to reflect changes in the cost of production or design without prior notice.

Page 2 of 2



GREENLIGHT INITIATIVE – New York, NY - Ph: (718) 784-4440 - Fax: (718) 228-8202 – Toll Free: 888-788-LEDS (5337) Sales@lednyc.com – info@lednyc.com - www.LEDnyc.com